

SBW Terminator 760

# SBW Terminator 760

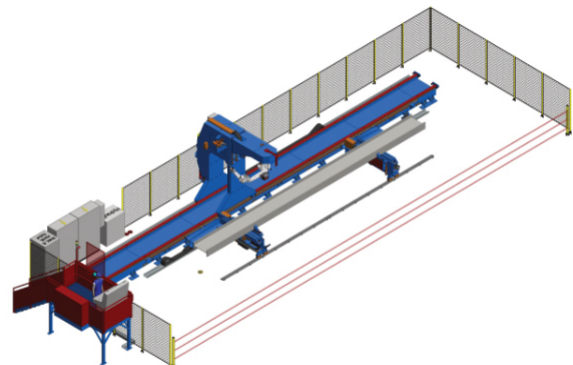
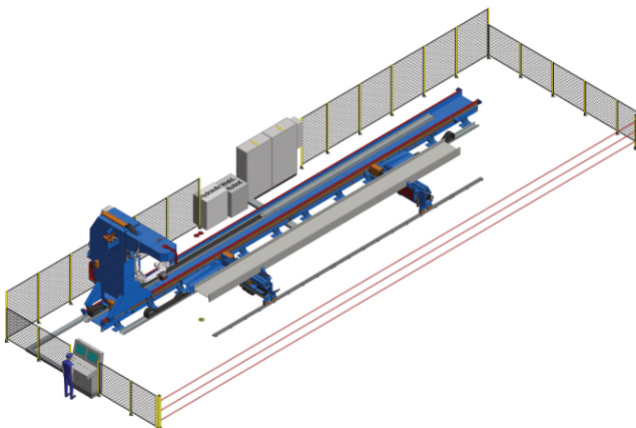
- Highest efficiency on smallest possible footprint
- One welding robot capable of performing fully finished welds up to A16 (7/8")
- Integrated profile turning devices rotate the main profiles as needed for welding on all sides of the material
- Main profile up to 760mm (30") wide and 12/15/18m (40/50/60") long

## Standard Features

- Laser scanning system
- Welding robot
- Integrated profile turning device

SBW Terminator 760

SBW Terminator E-Type 760 \*

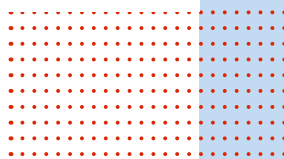


\* can be upgraded to an SBA -Steel Beam Assembler

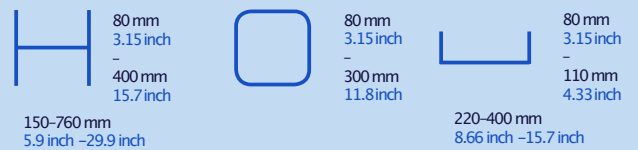


# SBW Terminator 760 Capabilities

- Finishing welds after manual fitting
- Realtime adjustment of welding position for „non-perfect“ parts
- Consistent welding quality
- Increased production
- Easy and userfriendly operation
- Automatic workflow generation
- Safely monitor and process profiles from distance without manual material rotating
- Reliable design for harsh ambient conditions



## Acceptable Material Dimensions (MAIN PROFILE)



\* Maximum material weight of 5.000kg / 11,000lbs  
 \* Maximum material length of 12m (15m) [18m] / 40 (50) [60] ft

## Machine Specifications

Type of Welding	MAG
Welding Wire	G3Si1
Single-layer Welding Seam Sizes	A3-A6 (3/16-5/16")
Multi-layer Welding Seam Sizes	A8-A16 (3/8-7/8")
Overall Machine Length	Terminator: 23600 mm / 77.4 ft (26700 mm) / 87.6 ft [29300 mm] / 96.12 ft  Terminator E-Type: 24200mm / 79.4 ft (27200mm) / 89.2 ft [30200mm] / 99.1 ft
Overall Machine Width	Terminator: 7350mm / 241.2 ft Terminator E-Type: 8200 mm / 26.9 ft
Overall Machine Height	4700mm / 14.08 ft
Material Processing	4Sides